

LED Commercial Emergency Downlight

QUICK FEATURES

- 4", 6", 8" reflector sizes
- Easy installation with clip
- Pre-Wired Completely.
- Integral test switch box included.
- In the event of power interruption, fixtures will continue to work for min. 90 minute.
- For emergency option, add suffix "EM" to the part numbers of our LED fixtures.
- Suitable for use in corridors, hospitals and any public areas.

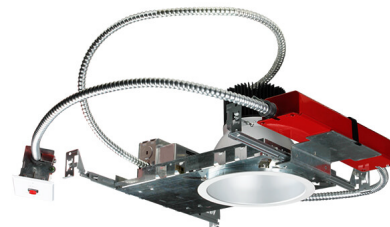
PERFORMANCE DATA

Input Voltage	120V / 277V
Frequency	50 / 60Hz
T Ambient	-30 °C ~40 °C (-22°F ~104°F)

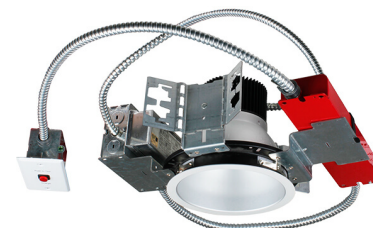
(all values at 25°C without a dimming control in circuit)



CLED Emergency /
Plaster Frame Ver.

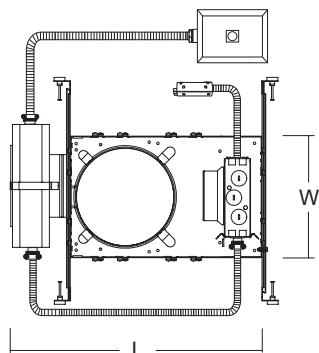


CLED Emergency /
Architectural Frame Ver.

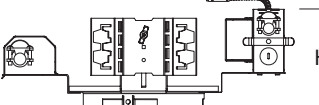
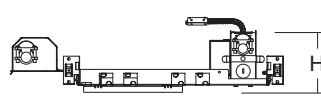
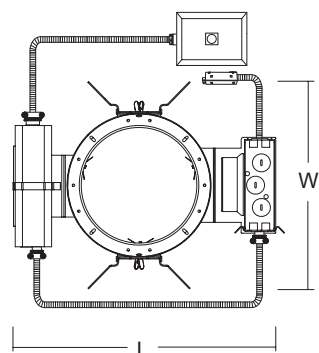


EMERGENCY FRAME

Plaster Frame



Architectural Frame



Features

- Consisted of Galvanized steel.
- Driver and emergency kit are included
- Architectural frame is with C channel and flat hanger bars (ordered separately) for tie down to ceiling grids.
- Junction box is mounted on the frame for easy wire access and driver installation and replacement.

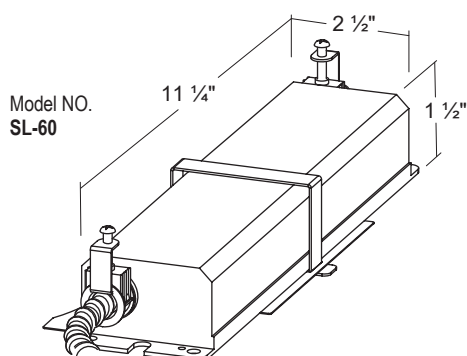
- Plaster Frame

Inch	Model NO.	Dimension (L x W x X)	Wattage
4 inch	CLED4P/ EM	16-1/8" x 7-5/8" x 3-3/4"	17W, 23W, 27W
6 inch	CLED6P / EM	16-1/8" x 7-5/8" x 3-3/4"	32W, 42W, 50W
8 inch	CLED8P / EM	16-1/2" x 9" x 3-3/4"	43W, 50W, 55W

- Architectural Frame

Inch	Model NO.	Dimension (L x W x X)	Wattage
4 inch	CLED4A/ EM	16-1/8" x 12-1/4" x 5-5/8"	17W, 23W, 27W
6 inch	CLED6A / EM	16-1/8" x 11-3/4" x 5-3/8"	32W, 42W, 50W
8 inch	CLED8A / EM	17-1/4" x 13" x 5-3/8"	43W, 50W, 55W

EMERGENCY BALLAST



INPUT

Input voltage	120-277 V
Hz	60 Hz
Input current	(min - max) 0.055 - 0.070 A
Input power	(min - max) 2.5 - 4.0 A

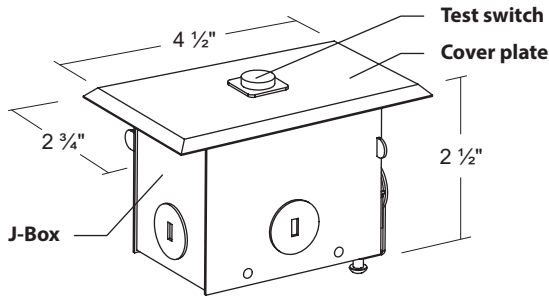
OUTPUT

Output voltage	3 - 60 V
Output current	(max) 0.14 A
Output power	(max) 8.4 A

Ni-can battery	4.8 V / 4000mAh
Chrg current	(max) 0.25 A
Discharge current	(max) 0.2 A
Charging time	24 hours
Discharging time	90 Min
Operation Environment Temperature	0 ~ +50
Warranty	3 years for components 2 years for battery



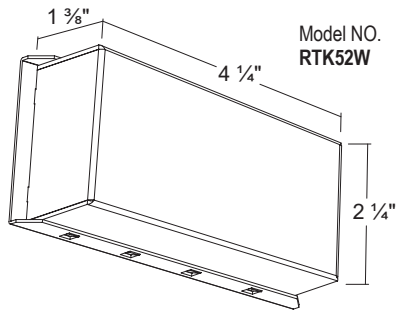
TEST SWITCH BOX



Features

- Consists of the Test switch, Cover plate and J-box.
- Contains five 7/8" knockouts on the J-Box.
- Suitable for wall or ceiling mount.

DRIVER (Selectable Wattage)



Model NO.	PRI	SEC
RTK52W-15W	120Vac, 50 / 60Hz, 135mA	MAX. 35V, 450mAdc
RTK52W-21W	120Vac, 50 / 60Hz, 170mA	MAX. 49V, 450mAdc
RTK52W-28W	120Vac, 50 / 60Hz, 265mA	MAX. 49V, 600mAdc
RTK52W-40W	120Vac, 50 / 60Hz, 480mA	MAX. 35V, 1200mAdc
RTK52W-48W	120Vac, 50 / 60Hz, 480mA	MAX. 42V, 1200mAdc
RTK52W-52W	120Vac, 50 / 60Hz, 480mA	MAX. 49V, 1200mAdc
Power Factor - > 0.9		Voltage - 120 / 277 V

Features

- Consists of the aluminum
- Class 2 Power supply
- LED driver accommodates 120-277V inputs with 0-10V dimming standard.
- 90°C maximum case hot spot temperature
- 18 AWG solid leads, rated 105 °C, 300 V minimum for input / output connections.
- 22 AWG stranded leads, rated 105 °C, 300 V minimum for 0-10V dimming connections.

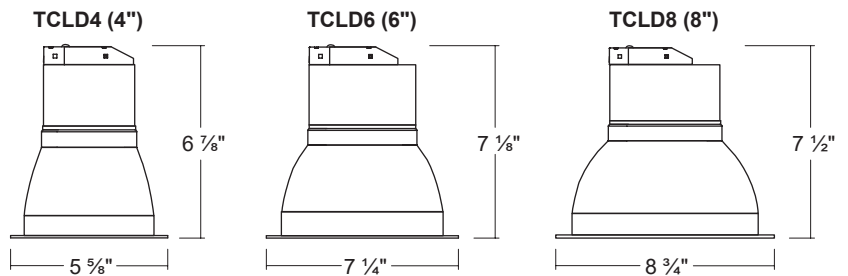
COMMERCIAL TRIM DIMENSIONS



Features

- Self-flanged aluminum reflector
- Effective heat dissipation with aluminum heat sink
- Each size of light modules should be used with dedicated driver

Dimensions

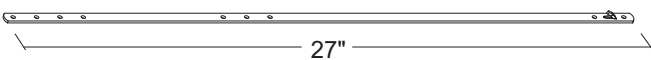


HANGER BAR ACCESSORIES OPTIONS



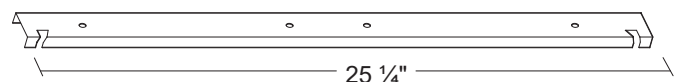
Flat Hanger Bar

- For use with CLED-#A architectural frame in T-bar, grid of concealed spline ceilings.
- Spans 24" ceiling grid, Actual length : 27"
- Set of two Hanger bars for commercial frames



C-Channel Hanger Bar

- For use with CLED-#A architectural frame in grid ceiling.
- Provides firm, no-sag installation with 24" spacing (actual length 25-1/4")
- Notched for placement on inverted T-bar ceilings
- Set of two Hanger bars for commercial frames



ORDERING INFORMATION & LIGHT SOURCE TEST TABLE

Frame product Codes - Rough-in section

4 inch Frame

Model No.	Description
CLED4P / 15EM	4" Plaster Frame in Kit Emergency / 17W
CLED4P / 21EM	4" Plaster Frame in Kit Emergency / 23W
CLED4P / 28EM	4" Plaster Frame in Kit Emergency / 27W
CLED4A / 15EM	4" Architectural Frame in Kit Emergency / 17W
CLED4A / 21EM	4" Architectural Frame in Kit Emergency / 23W
CLED4A / 28EM	4" Architectural Frame in Kit Emergency / 27W

6 inch Frame

Model No.	Description
CLED6P / 28EM	6" Plaster Frame in Kit Emergency / 32W
CLED6P / 40EM	6" Plaster Frame in Kit Emergency / 42W
CLED6P / 48EM	6" Plaster Frame in Kit Emergency / 50W
CLED6A / 28EM	6" Architectural Frame in Kit Emergency / 32W
CLED6A / 40EM	6" Architectural Frame in Kit Emergency / 42W
CLED6A / 48EM	6" Architectural Frame in Kit Emergency / 50W

8 inch Frame

Model No.	Description
CLED8P / 40EM	8" Plaster Frame in Kit Emergency / 43W
CLED8P / 48EM	8" Plaster Frame in Kit Emergency / 50W
CLED8P / 52EM	8" Plaster Frame in Kit Emergency / 55W
CLED8A / 40EM	8" Architectural Frame in Kit Emergency / 43W
CLED8A / 48EM	8" Architectural Frame in Kit Emergency / 50W
CLED8A / 52EM	8" Architectural Frame in Kit Emergency / 55W

- Suffix "A" : Architectural frame
- Suffix "P" : Plaster commercial frame

Trim product Codes - Finishing section with LED module

(CCT 4000K / CRI ≥ 80)

4 inch Trim

Model No.	Description	Lumen (Light Mode)	Lumen (Emergency Mode)
TCLD415HZ	4" Haze Reflector / Haze ring / 17W	1120 lm	430 lm
TCLD415W	4" White Reflector / White ring / 17W	1120 lm	430 lm
TCLD421HZ	4" Haze Reflector / Haze ring / 23W	1590 lm	530 lm
TCLD421HZ	4" White Reflector / White ring / 23W	1590 lm	530 lm
TCLD428HZ	4" Haze Reflector / Haze ring / 27W	1940 lm	540 lm
TCLD428HZ	4" White Reflector / White ring / 27W	1940 lm	540 lm

6 inch Trim

Model No.	Description	Lumen (Light Mode)	Lumen (Emergency Mode)
TCLD628HZ	6" Haze Reflector / Haze ring / 32W	2210 lm	640 lm
TCLD628W	6" White Reflector / White ring / 32W	2210 lm	640 lm
TCLD640HZ	6" Haze Reflector / Haze ring / 42W	2980 lm	540 lm
TCLD640HZ	6" White Reflector / White ring / 42W	2980 lm	540 lm
TCLD648HZ	6" Haze Reflector / Haze ring / 50W	3770 lm	600 lm
TCLD648HZ	6" White Reflector / White ring / 50W	3770 lm	600 lm

8 inch Trim

Model No.	Description	Lumen (Light Mode)	Lumen (Emergency Mode)
TCLD840HZ	8" Haze Reflector / Haze ring / 43W	3090 lm	560 lm
TCLD840W	8" White Reflector / White ring / 43W	3090 lm	560 lm
TCLD848HZ	8" Haze Reflector / Haze ring / 50W	3640 lm	630 lm
TCLD848HZ	8" White Reflector / White ring / 50W	3640 lm	630 lm
TCLD852HZ	8" Haze Reflector / Haze ring / 55W	4530 lm	680 lm
TCLD852HZ	8" White Reflector / White ring / 55W	4530 lm	680 lm

